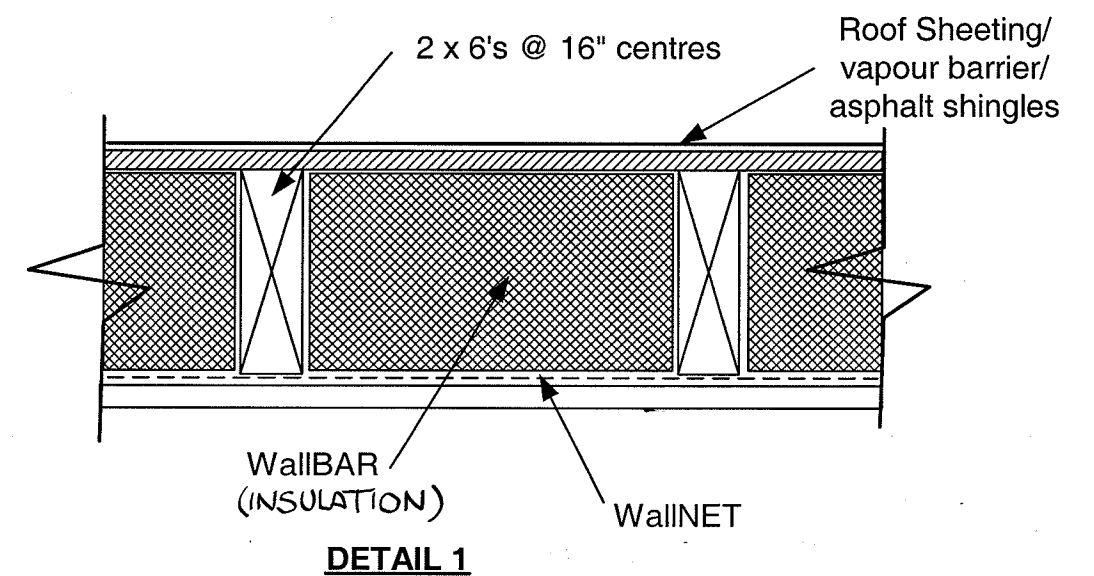
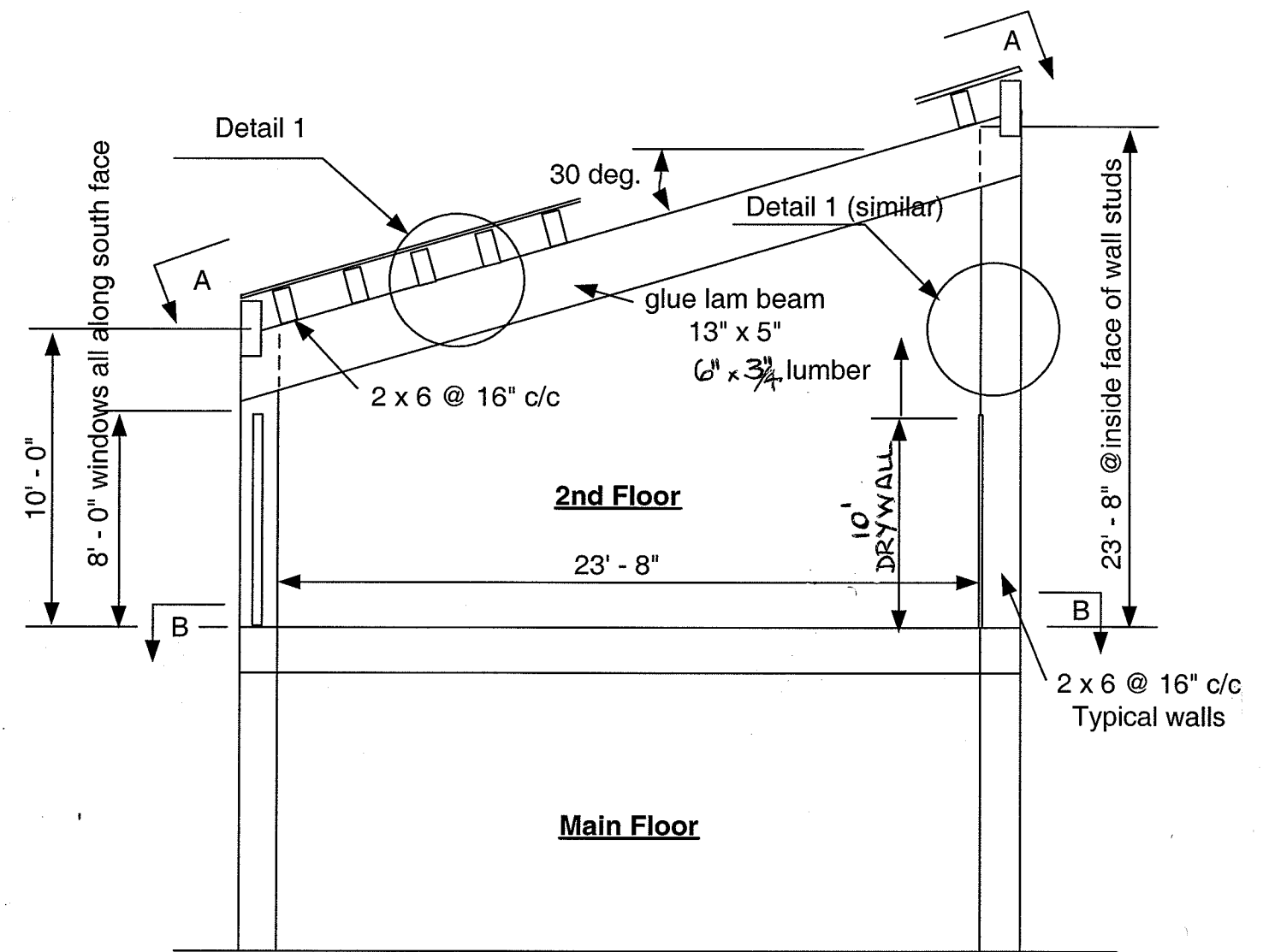
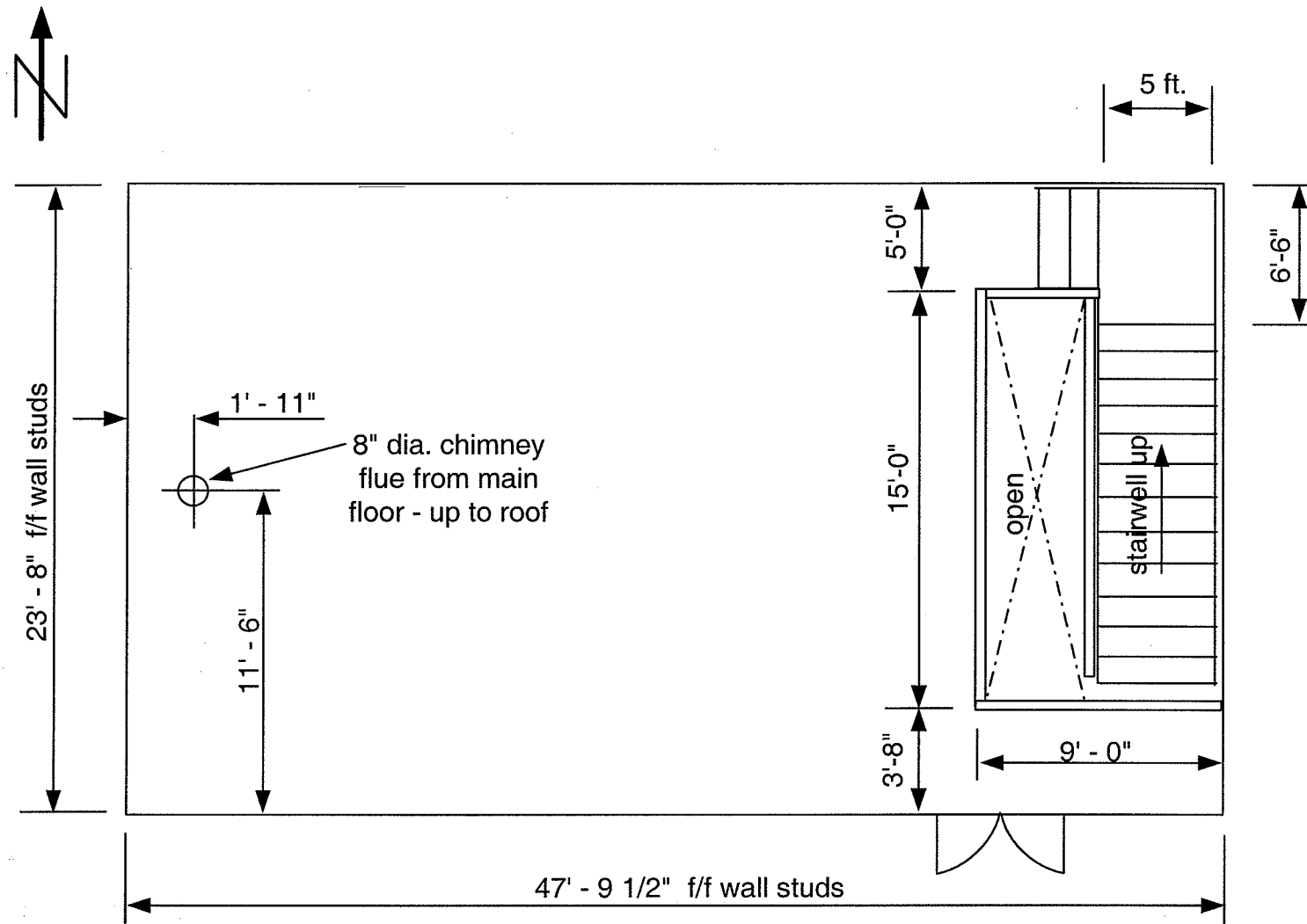




SNC • LAVALIN

DESIGN CALCULATIONS

PROJECT TITLE	WSC CLUBHOUSE	DEPT No.	PROJECT No.
SUBJECT	2nd FLOOR RENOVATIONS	DATE	JAN/09
DESIGNED BY:	CHECKED BY:	PAGE	1 OF

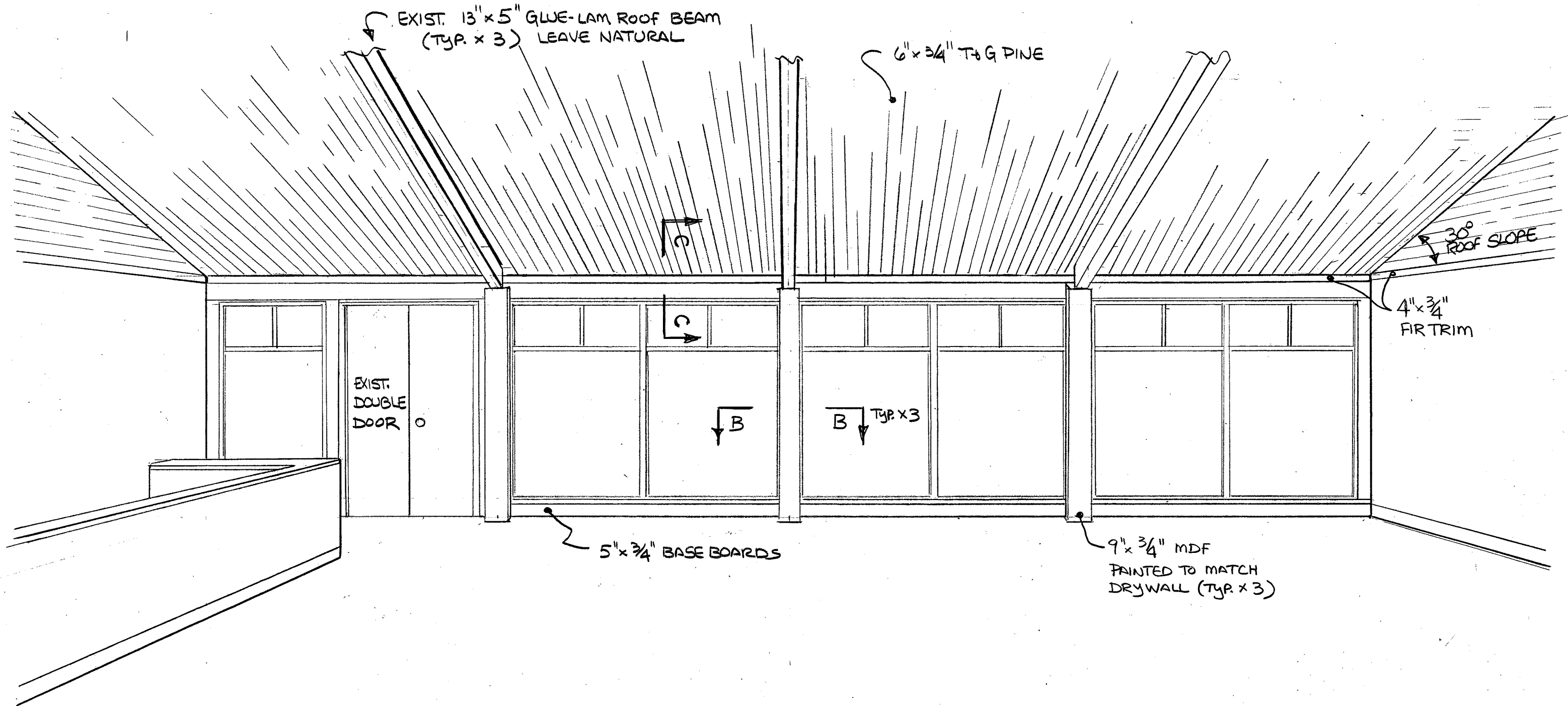




SNC-LAVALIN

PROJECT TITLE WSC CLUBHOUSE	DEPT No.	PROJECT No.
SUBJECT 2nd FLOOR RENOVATIONS	DATE JAN/09	PAGE 2 OF
DESIGNED BY N.D.	CHECKED BY	

SOUTH WALL

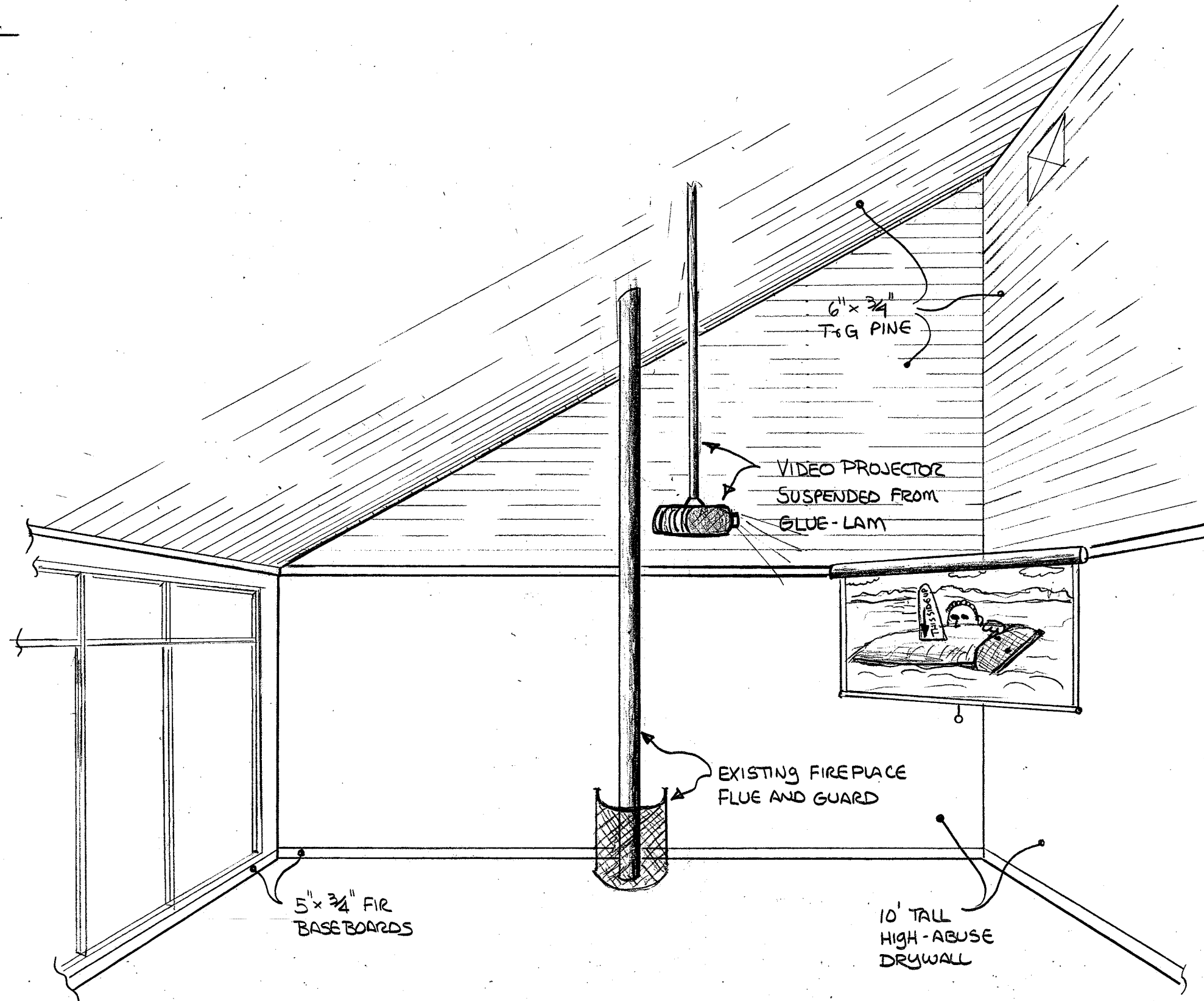




SNC-LAVALIN

PROJECT TITLE	WSC CLUBHOUSE	DEPT No.	PROJECT No.
SUBJECT	2nd FLOOR RENOVATIONS	DATE	JAN / 09
DESIGNED BY	N.D.	CHECKED BY	PAGE 3 OF

WEST WALL

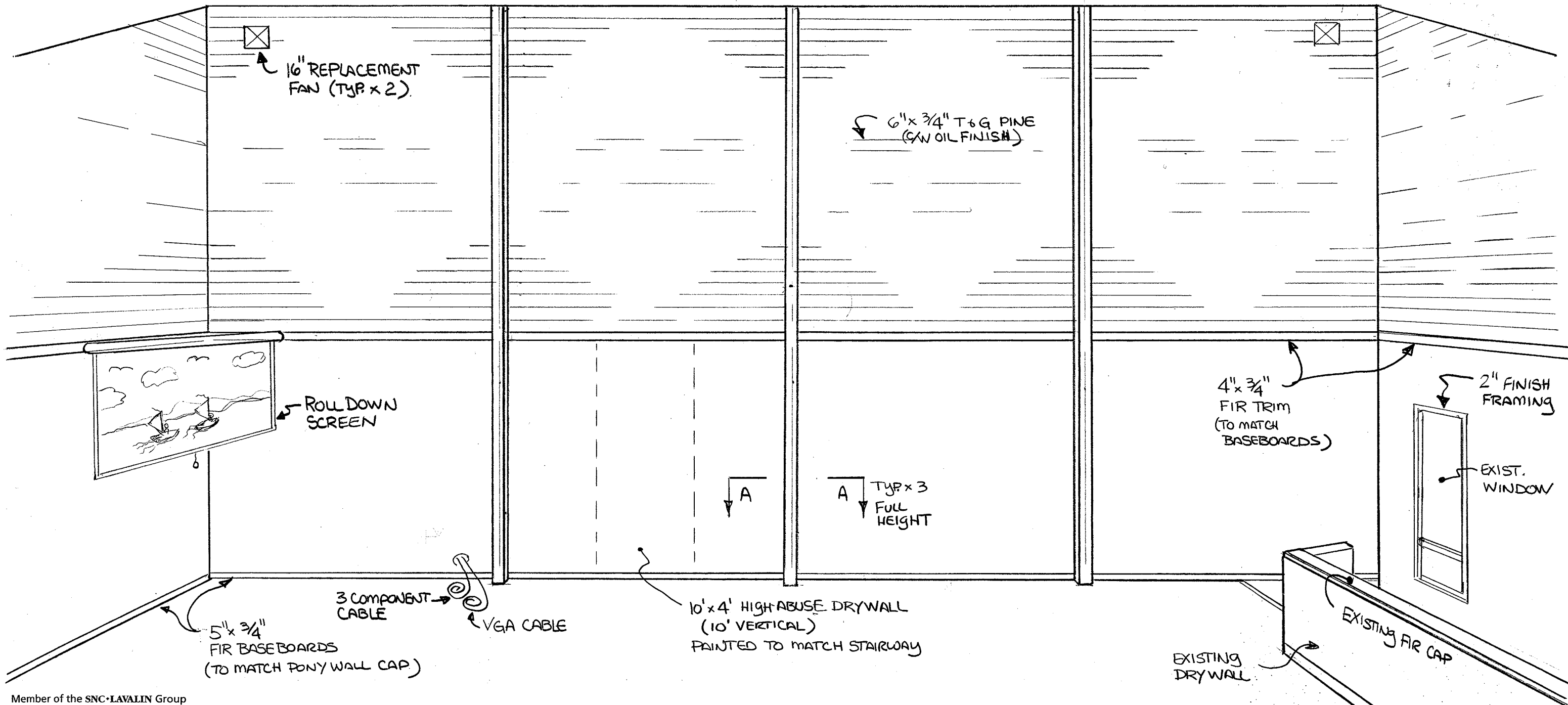




SNC-LAVALIN

PROJECT TITLE	WSC CLUBHOUSE	DEPT No.	PROJECT No.
SUBJECT	2nd FLOOR RENOVATIONS	DATE	JAN /09
DESIGNED BY	N.D.	CHECKED BY	
			PAGE 4 OF

NORTH WALL





SNC-LAVALIN

PROJECT TITLE	WSC CLUBHOUSE	DEPT No.	PROJECT No.
SUBJECT	2nd FLOOR RENOVATIONS	DATE	JAN / 09
DESIGNED BY	N.D.	CHECKED BY	PAGE 5 OF

EAST WALL

